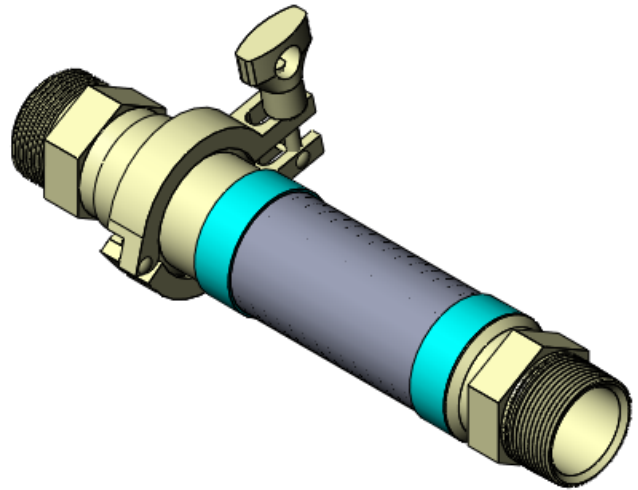
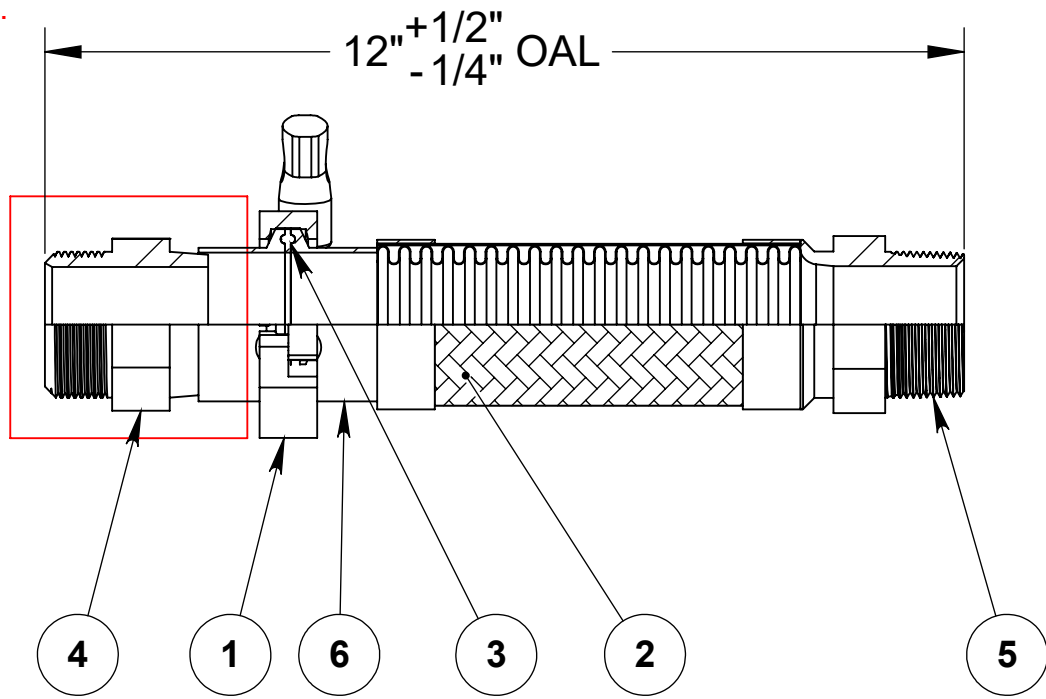


REVISIONS			
REV.	DESCRIPTION	DATE	APPROVED
-		11/7/2023	

Hex male adapter shown represents only one of the various end fittings available. Please refer to catalog for other options.



**NOTE: UL & cULus APPROVED CONNECTORS**

----- COMPONENTS LIST -----

ITEM #	QTY.	DESCRIPTION	MATERIAL
1	1	2" Quick Clamp Kit	304
2	1	1-1/2" AF4750	300 Series Stainless
3	1	2" QuickClamp Seal	Viton
4	1	1-1/2" Hex Male Adapter	304
5	1	1-1/2" Hex Male	Stainless Steel
6	1	2" Sanitary Flange	304



**HOSE MASTER**

1233 East 222nd Street • Cleveland, Ohio 44117  
 (800) 221-2319 • Fax: (216) 481-7557 • www.hosemaster.com  
 Cleveland • Houston • Atlanta • Reno

**ISO 9001**  
 Registered Quality System



DESCRIPTION:

**1-1/2" x 12" OAL FIRESHEILD QUICK CLAMP ASSEMBLY**

DRAWING #

**FSQM0150x12**

DATE: 12/19/2023

PROJECTION:



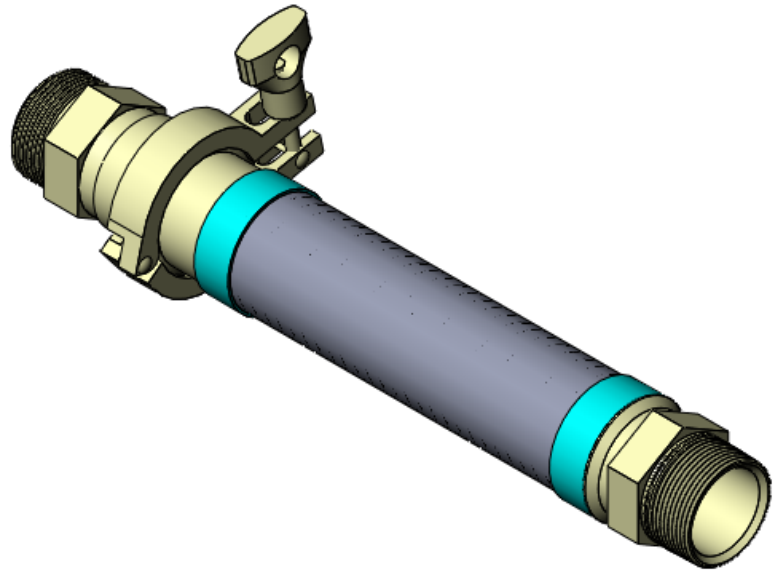
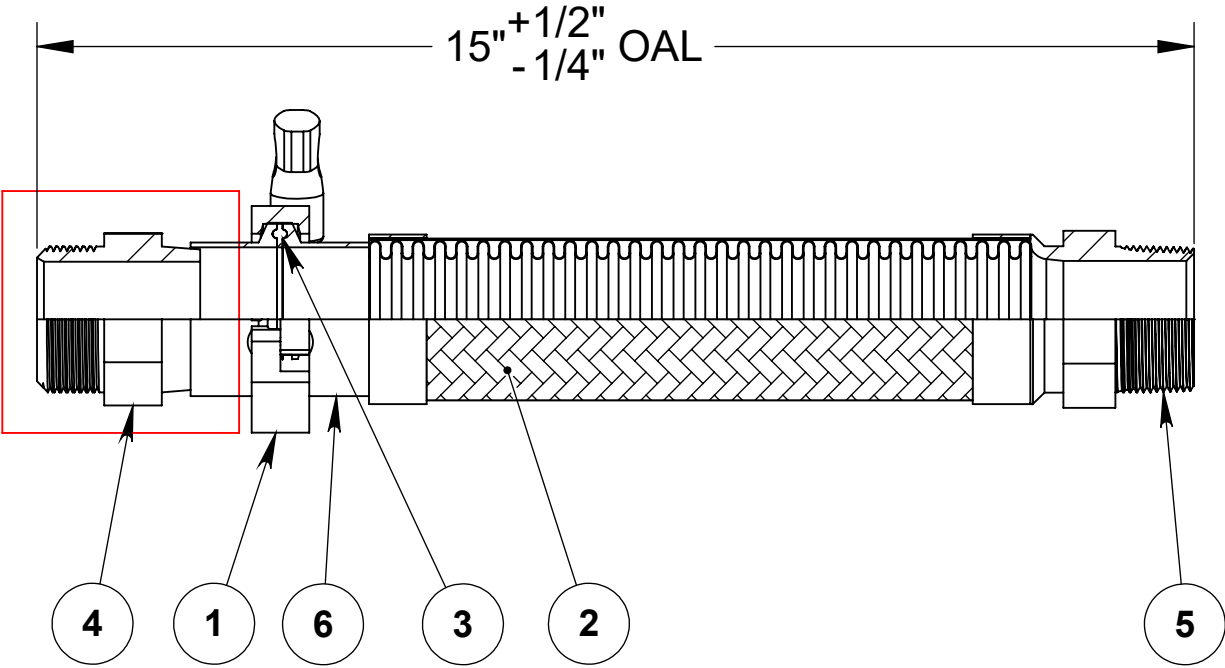
REV.

-

SHEET  
 1 OF 1

REVISIONS			
REV.	DESCRIPTION	DATE	APPROVED
-		11/7/2023	

Hex male adapter shown represents only one of the various end fittings available. Please refer to catalog for other options.



**NOTE: UL & cULus APPROVED CONNECTORS**

----- COMPONENTS LIST -----

ITEM #	QTY.	DESCRIPTION	MATERIAL
1	1	2" Quick Clamp Kit	304
2	1	1-1/2" AF4750	300 Series Stainless
3	1	2" QuickClamp Seal	Viton
4	1	1-1/2" Hex Male Adapter	304
5	1	1-1/2" Hex Male	Stainless Steel
6	1	2" Sanitary Flange	304



**HOSE MASTER**

1233 East 222nd Street • Cleveland, Ohio 44117  
 (800) 221-2319 • Fax: (216) 481-7557 • www.hosemaster.com  
 Cleveland • Houston • Atlanta • Reno

**ISO 9001**  
Registered Quality System



DESCRIPTION:  
**1-1/2" x 15" OAL FIRESHEILD QUICK CLAMP ASSEMBLY**

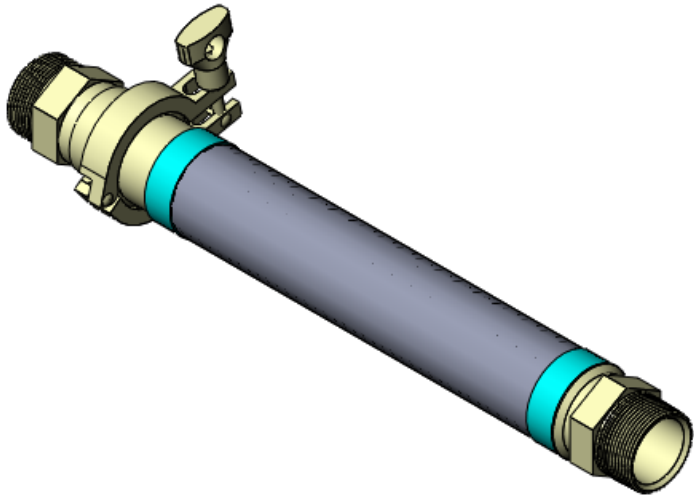
DRAWING #  
**FSQM0150x15**

DATE: 12/19/2023

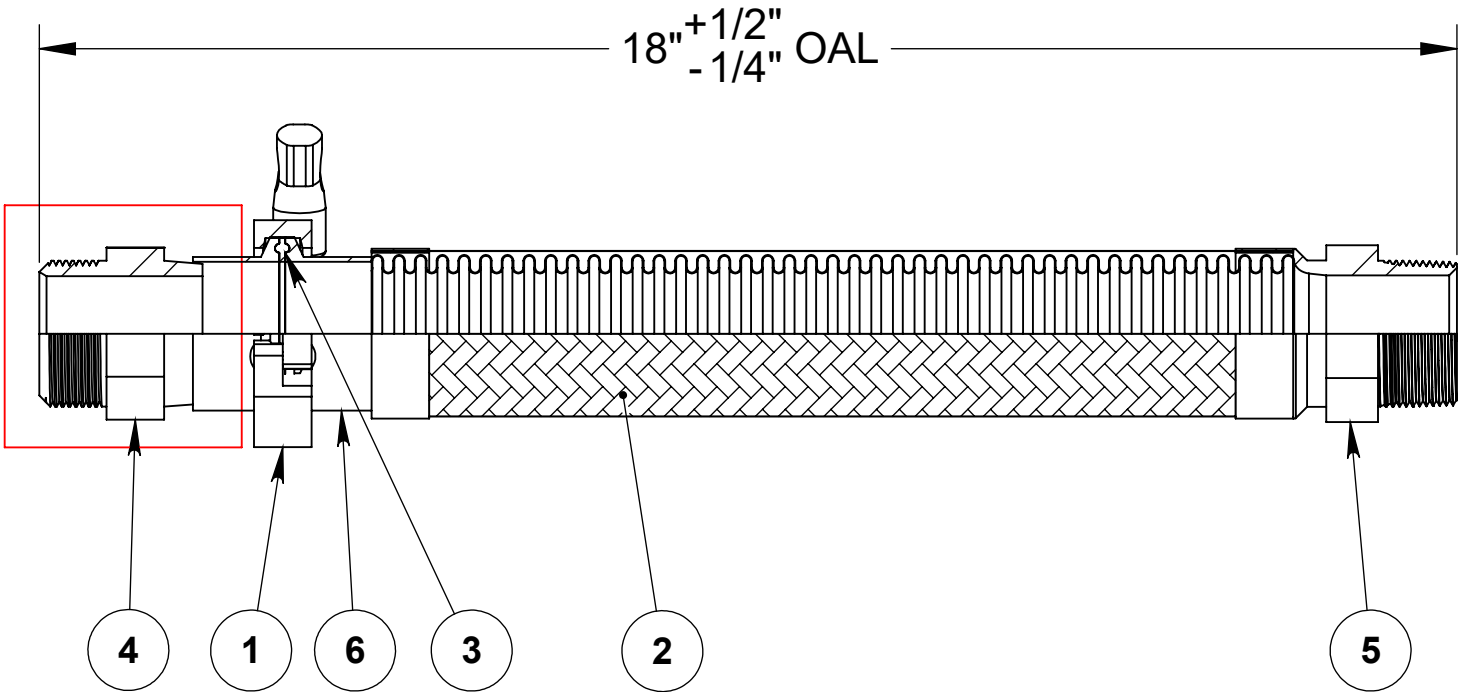
PROJECTION:

REV. - SHEET 1 OF 1

REVISIONS			
REV.	DESCRIPTION	DATE	APPROVED
-		11/7/2023	



Hex male adapter shown represents only one of the various end fittings available. Please refer to catalog for other options.



**NOTE: UL & cULus APPROVED CONNECTORS**

----- COMPONENTS LIST -----

ITEM #	QTY.	DESCRIPTION	MATERIAL
1	1	2" Quick Clamp Kit	304
2	1	1-1/2" AF4750	300 Series Stainless
3	1	2" QuickClamp Seal	Viton
4	1	1-1/2" Hex Male Adapter	304
5	1	1-1/2" Hex Male	Stainless Steel
6	1	2" Sanitary Flange	304



**HOSE MASTER**

1233 East 222nd Street • Cleveland, Ohio 44117  
 (800) 221-2319 • Fax: (216) 481-7557 • www.hosemaster.com  
 Cleveland • Houston • Atlanta • Reno

**ISO 9001**  
Registered Quality System



DATE: 12/19/2023

DESCRIPTION:

**1-1/2" x 18" OAL FIRESHEILD QUICK CLAMP ASSEMBLY**

PROJECTION:



DRAWING #

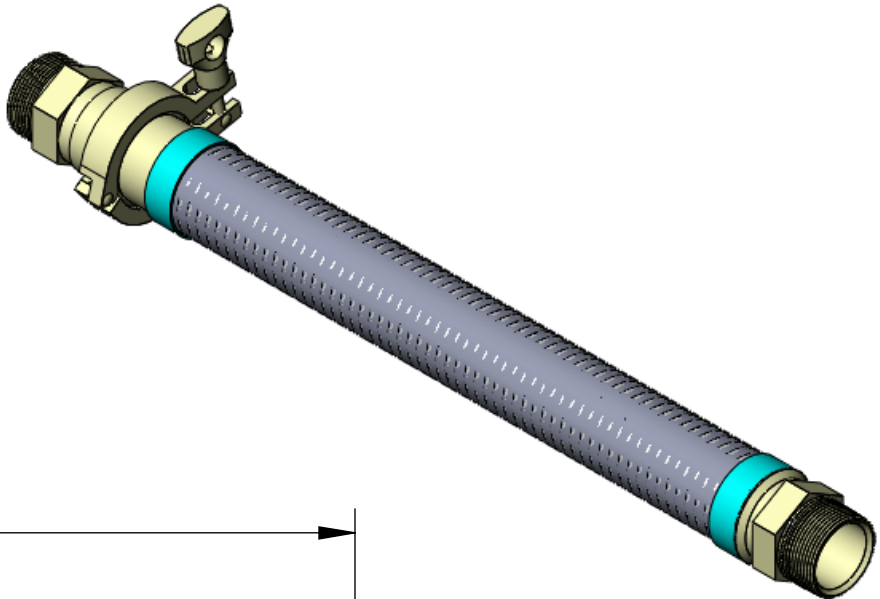
**FSQM0150x18**

REV.

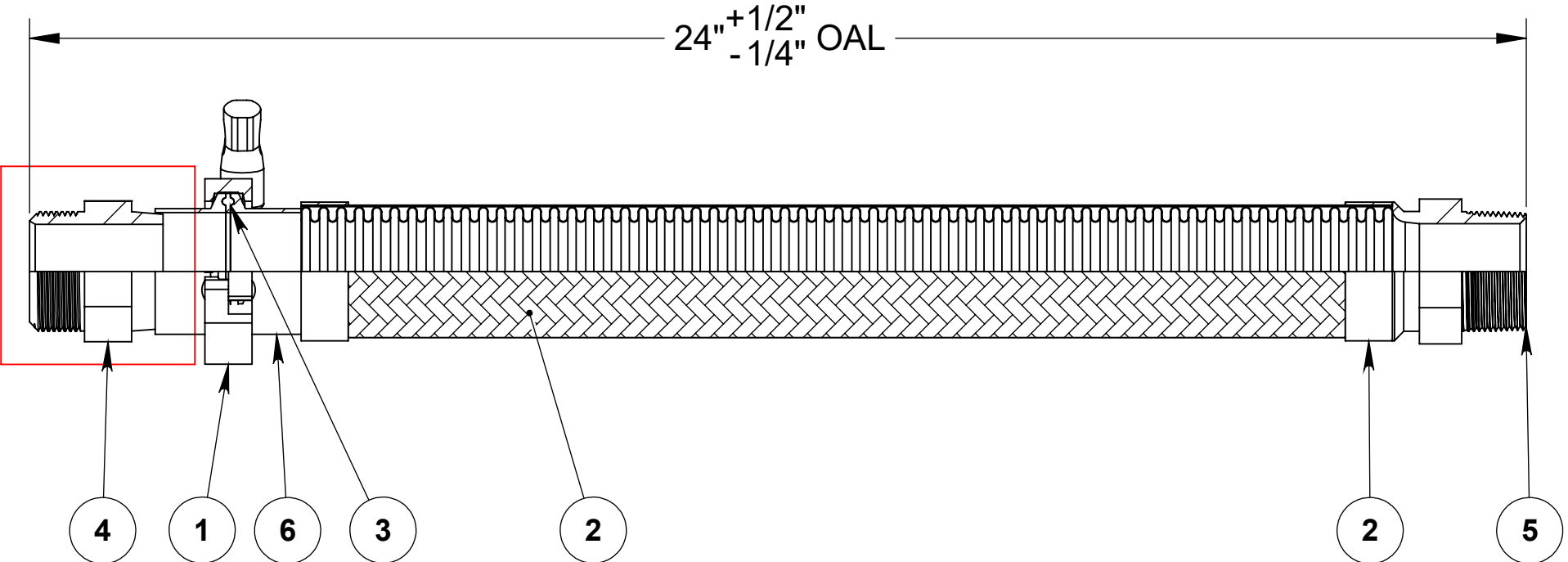
-

SHEET  
1 OF 1

REVISIONS			
REV.	DESCRIPTION	DATE	APPROVED
-		11/7/2023	



Hex male adapter shown represents only one of the various end fittings available. Please refer to catalog for other options.



**NOTE: UL & cULus APPROVED CONNECTORS**

----- COMPONENTS LIST -----

ITEM #	QTY.	DESCRIPTION	MATERIAL
1	1	2" Quick Clamp Kit	304
2	1	1-1/2" AF4750	300 Series Stainless
3	1	2" QuickClamp Seal	Viton
4	1	1-1/2" Hex Male Adapter	304
5	1	1-1/2" Hex Male	Stainless Steel
6	1	2" Sanitary Flange	304



**HOSE MASTER**

1233 East 222nd Street • Cleveland, Ohio 44117  
 (800) 221-2319 • Fax: (216) 481-7557 • www.hosemaster.com  
 Cleveland • Houston • Atlanta • Reno

**ISO 9001**  
 Registered Quality System



DESCRIPTION:

**1-1/2" x 24" OAL FIRESHEILD QUICK CLAMP ASSEMBLY**

DRAWING #

**FSQM0150x24**

DATE: 12/19/2023

PROJECTION:



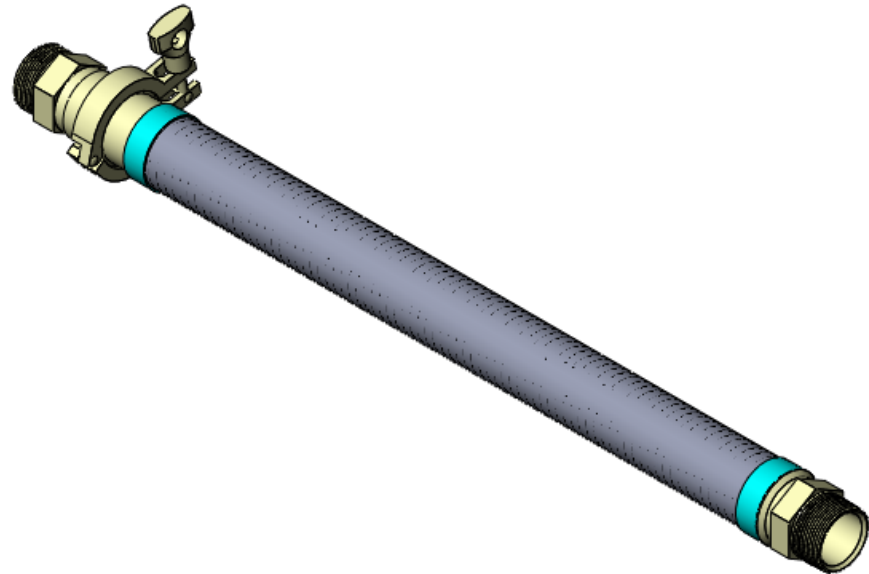
REV.

-

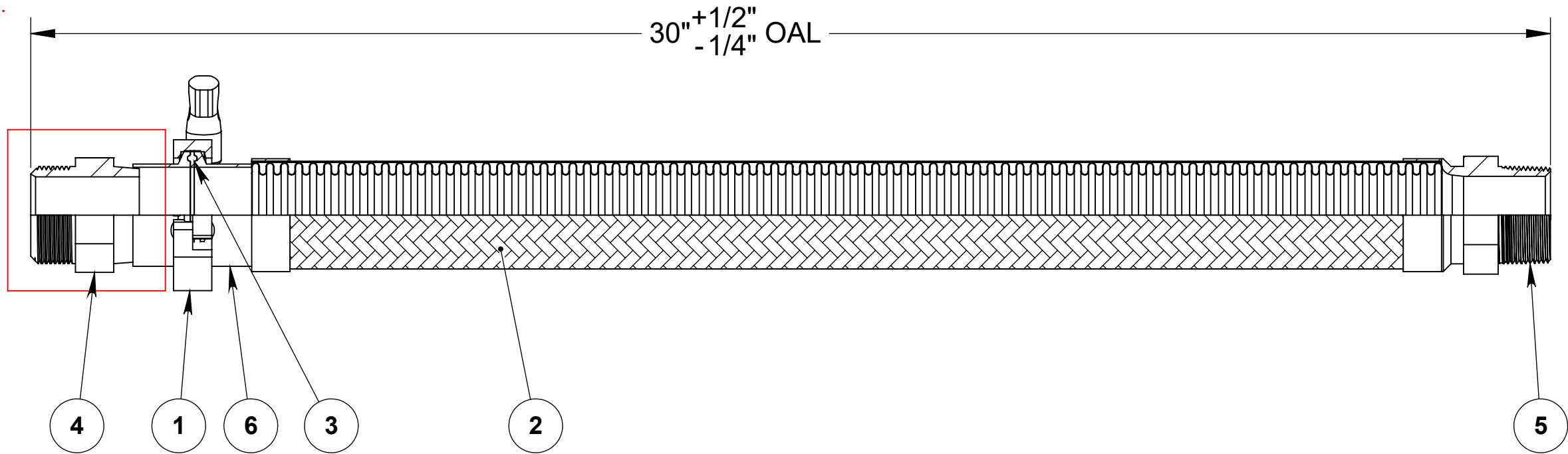
SHEET  
1 OF 1

8 7 6 5 4 3 2 1

REVISIONS			
REV.	DESCRIPTION	DATE	APPROVED
-		11/7/2023	



Hex male adapter shown represents only one of the various end fittings available. Please refer to catalog for other options.



**NOTE: UL & cULus APPROVED CONNECTORS**

----- COMPONENTS LIST -----

ITEM #	QTY.	DESCRIPTION	MATERIAL
1	1	2" Quick Clamp Kit	304
2	1	1-1/2" AF4750	300 Series Stainless
3	1	2" QuickClamp Seal	Viton
4	1	1-1/2" Hex Male Adapter	304
5	1	1-1/2" Hex Male	Stainless Steel
6	1	2" Sanitary Flange	304



**HOSE MASTER**

1233 East 222nd Street • Cleveland, Ohio 44117  
 (800) 221-2319 • Fax: (216) 481-7557 • www.hosemaster.com  
 Cleveland • Houston • Atlanta • Reno

**ISO 9001**  
Registered Quality System



DATE: 12/19/2023

DESCRIPTION:

**1-1/2" x 30" OAL FIRESHEILD QUICK CLAMP ASSEMBLY**

PROJECTION:



DRAWING #

**FSQM0150x30**

REV.

-

SHEET  
1 OF 1

8 7 6 5 4 3 2 1