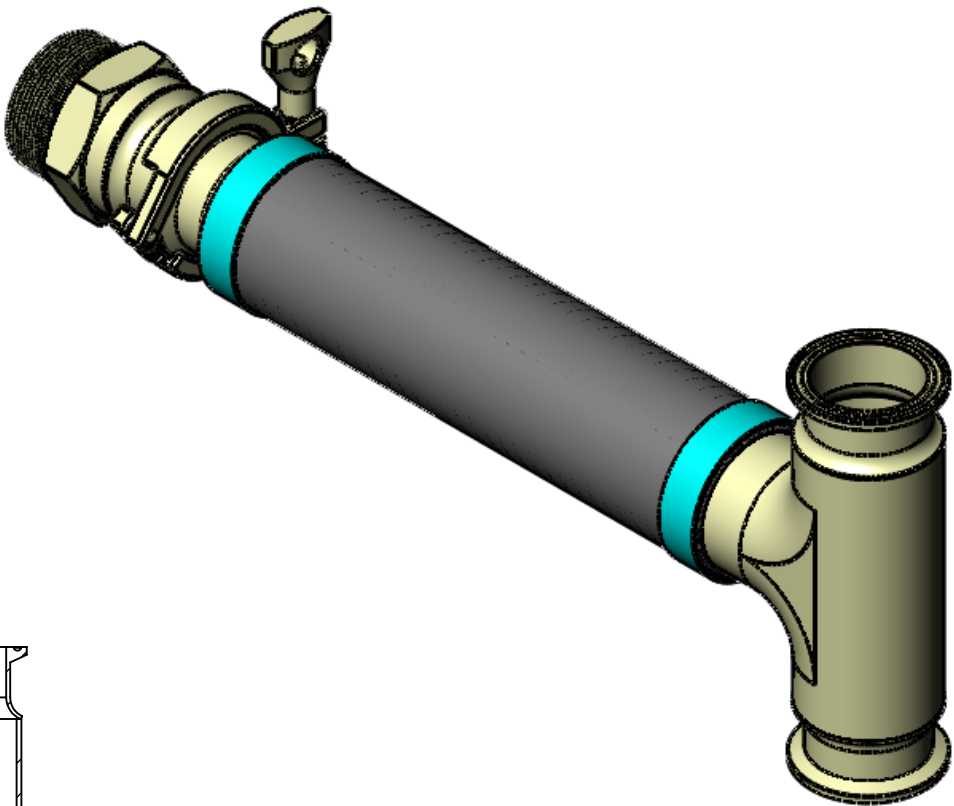
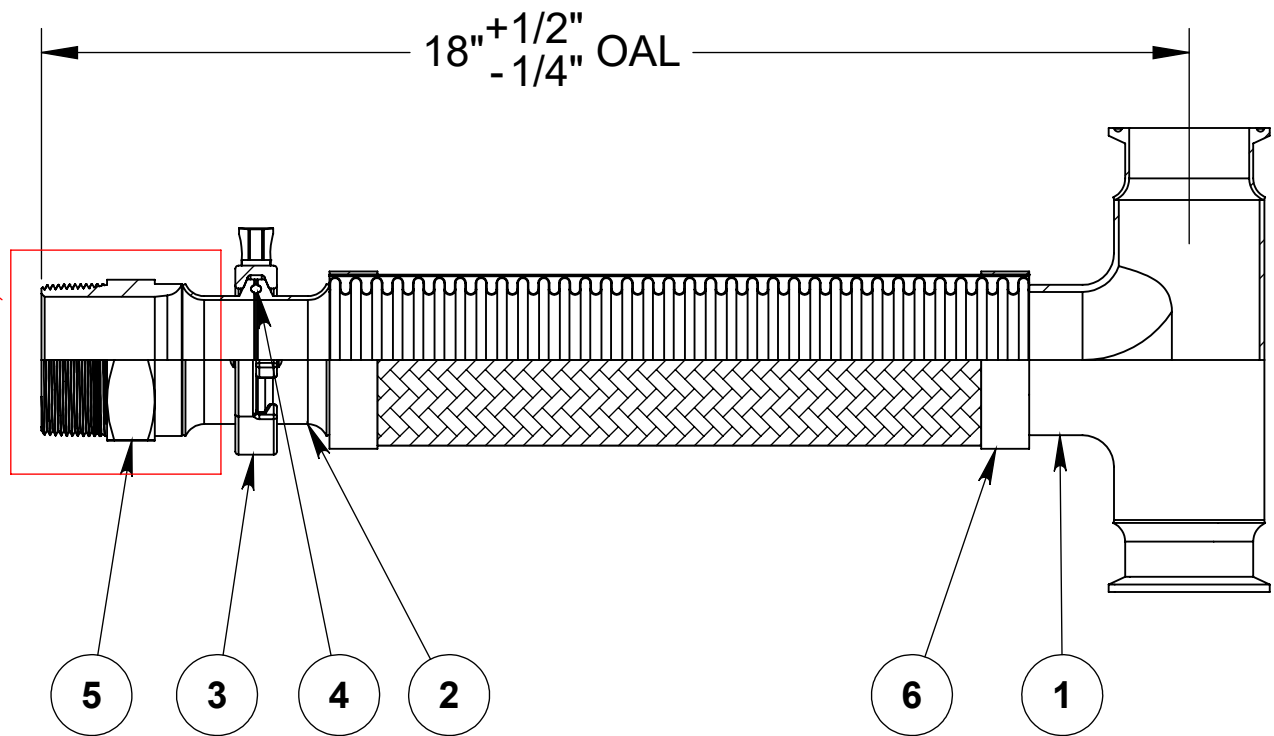


REVISIONS			
REV.	DESCRIPTION	DATE	APPROVED
-		12/19/2023	



Hex male adapter shown represents only one of the various end fittings available. Please refer to the catalog for other options.



NOTE: UL & cULus APPROVED CONNECTORS

----- COMPONENTS LIST -----

ITEM #	QTY.	DESCRIPTION	MATERIAL
1	1	2" QuickClamp Tee	304
2	1	2" Sanitary Flange	304
3	1	2" Quick Clamp	304
4	1	2" QuickClamp Seal	Viton
5	1	2" QuickClamp Hex Male	304
6	1	2" AF4750 Hose	300 Series Stainless Steel



HOSE MASTER

1233 East 222nd Street • Cleveland, Ohio 44117
 (800) 221-2319 • Fax: (216) 481-7557 • www.hosemaster.com
 Cleveland • Houston • Atlanta • Reno

ISO 9001
Registered Quality System



DESCRIPTION:

2" FIRESHIELD QUICK CLAMP ASSEMBLY

DRAWING #

FSQT0200x18

DATE: 12/19/2023

PROJECTION:

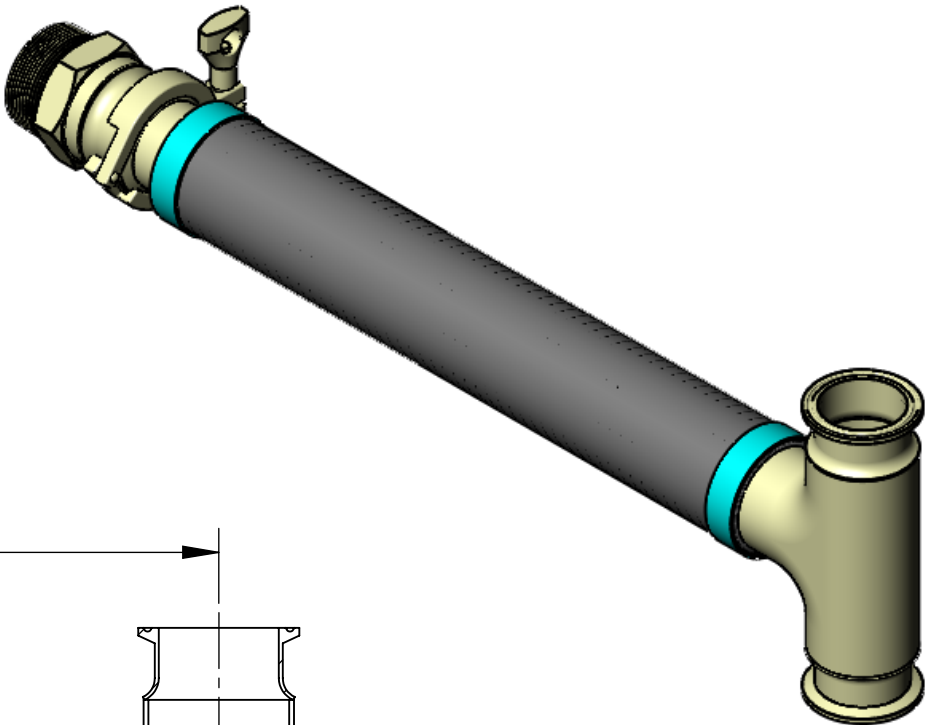


REV.

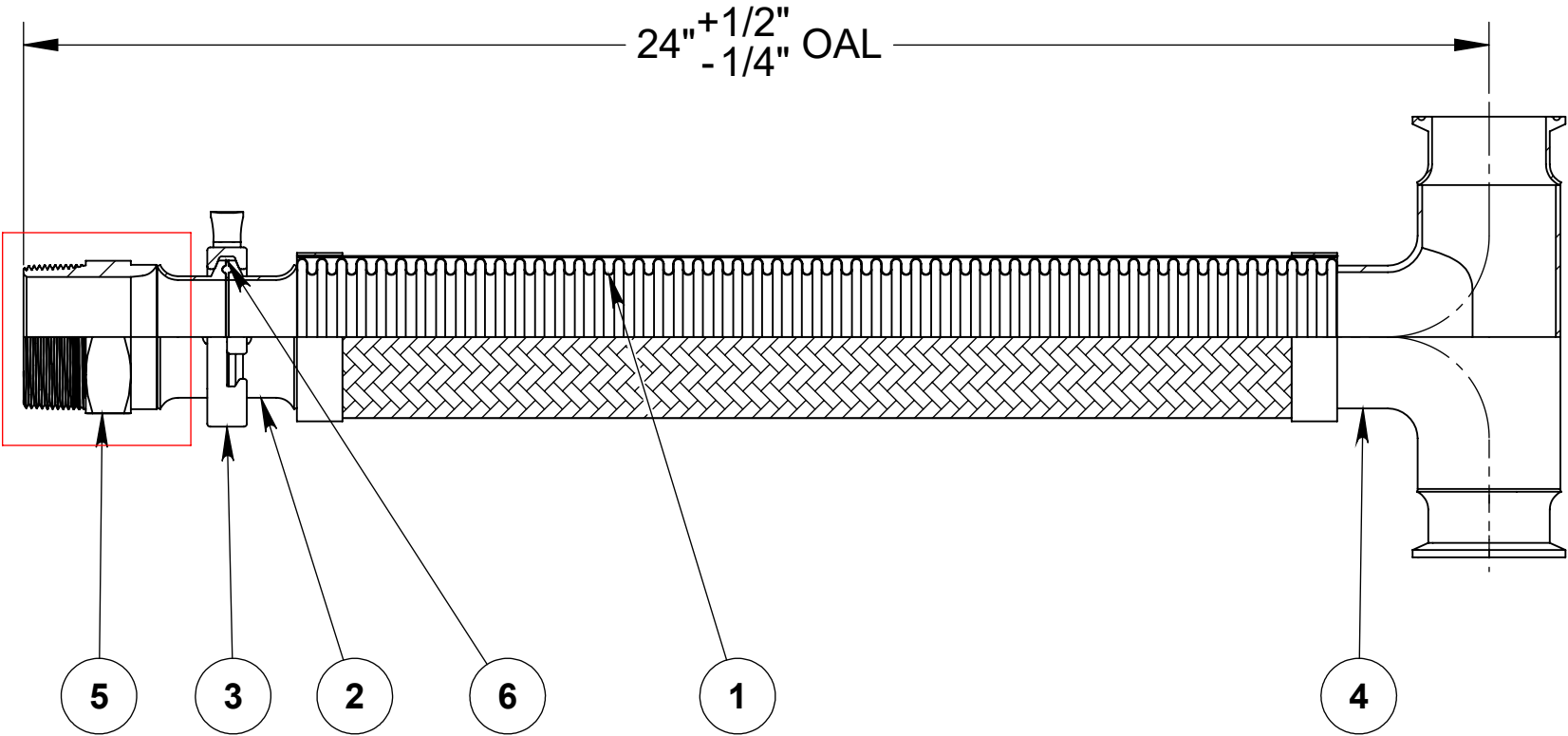
-.02

SHEET
1 OF 1

REVISIONS			
REV.	DESCRIPTION	DATE	APPROVED
-		12/19/2023	



Hex male adapter shown represents only one of the various end fittings available. Please refer to the catalog for other options.



NOTE: UL & cULus APPROVED CONNECTORS

----- COMPONENTS LIST -----

ITEM #	QTY.	DESCRIPTION	MATERIAL
1	1	2" AF4750 Hose	300 Series Stainless Steel
2	1	2" Sanitary Flange	304
3	1	2" Quick Clamp	304
4	1	2" QuickClamp Tee	304
5	1	2" QuickClamp Hex Male	304
6	1	2" QuickClamp Seal	Viton



HOSE MASTER

1233 East 222nd Street • Cleveland, Ohio 44117
 (800) 221-2319 • Fax: (216) 481-7557 • www.hosemaster.com
 Cleveland • Houston • Atlanta • Reno

ISO 9001
Registered Quality System



DESCRIPTION:
2" FIRESHIELD QUICKCLAMP ASSEMBLY

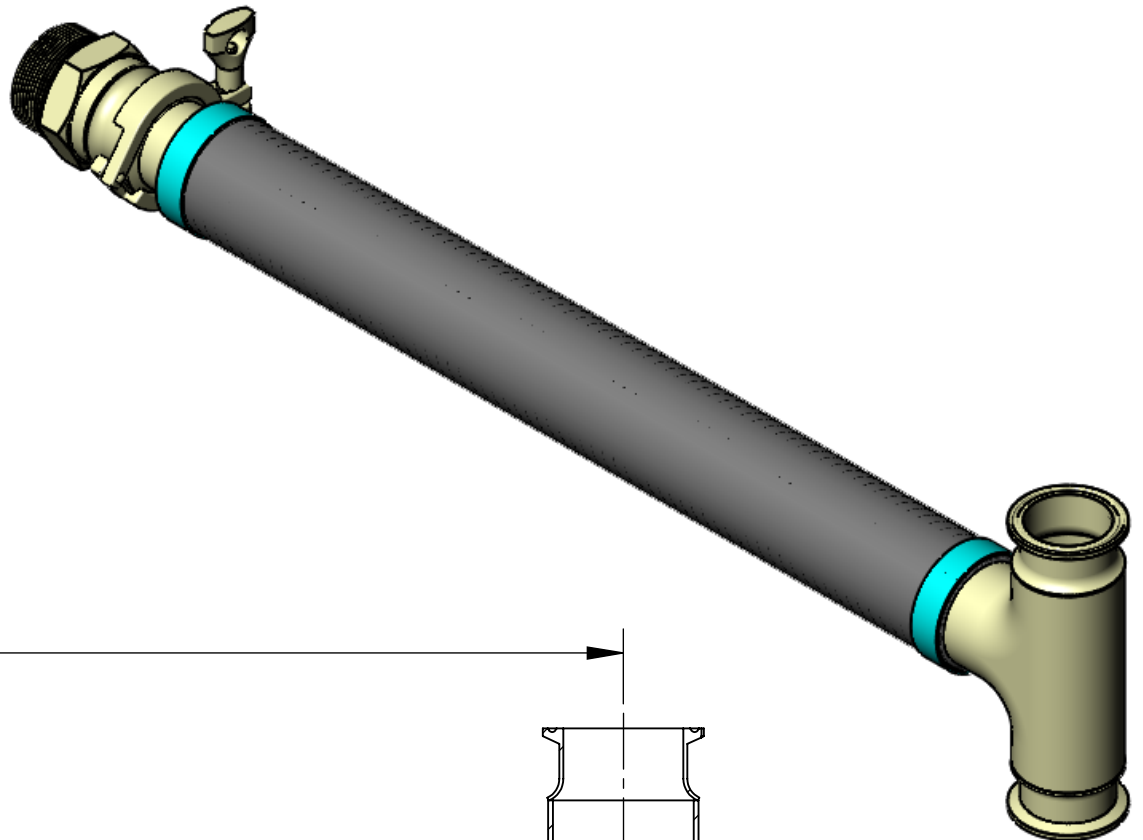
DRAWING #
FSQT0200x24

DATE: 12/19/2023

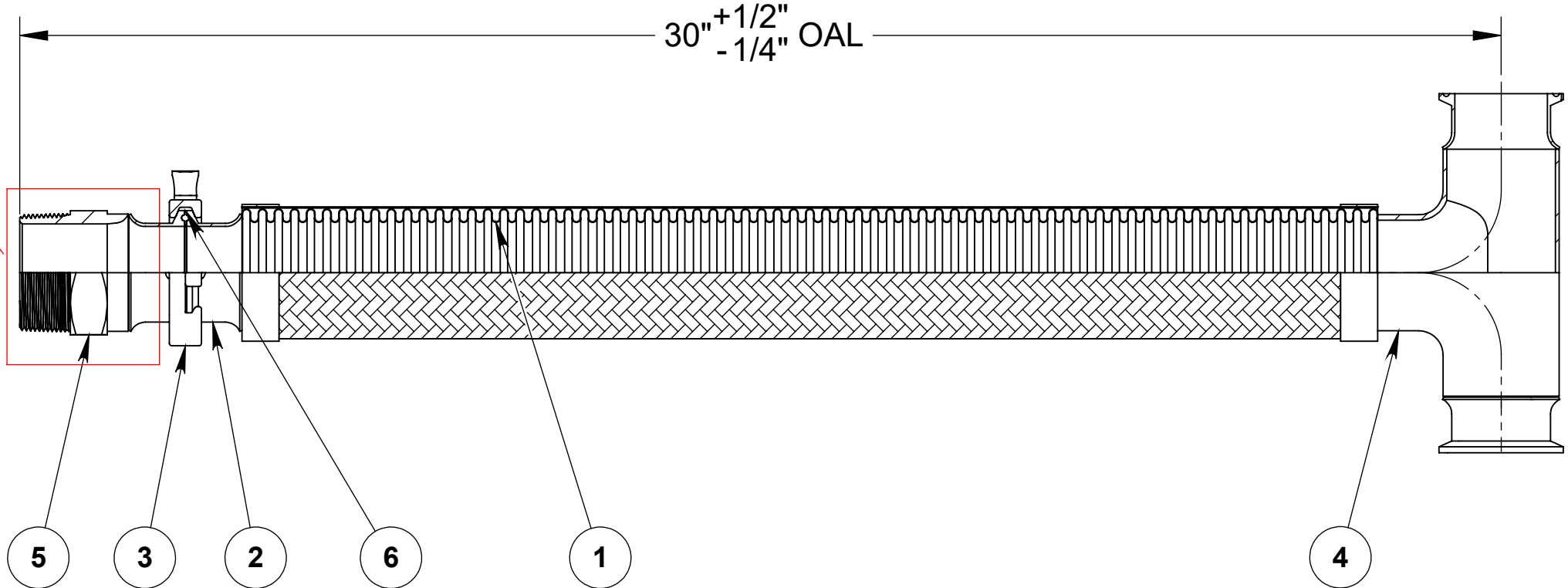
PROJECTION:

REV. - SHEET 1 OF 1

REVISIONS			
REV.	DESCRIPTION	DATE	APPROVED
-		12/19/2023	



Hex male adapter shown represents only one of the various end fittings available. Please refer to the catalog for other options.



NOTE: UL & cULus APPROVED CONNECTORS

----- COMPONENTS LIST -----

ITEM #	QTY.	DESCRIPTION	MATERIAL
1	1	2" AF4750 Hose	300 Series Stainless Steel
2	1	2" Sanitary Flange	304
3	1	2" Quick Clamp	304
4	1	2" QuickClamp Tee	304
5	1	2" QuickClamp Hex Male	304
6	1	2" QuickClamp Seal	Viton



HOSE MASTER

1233 East 222nd Street • Cleveland, Ohio 44117
 (800) 221-2319 • Fax: (216) 481-7557 • www.hosemaster.com
 Cleveland • Houston • Atlanta • Reno

ISO 9001
Registered Quality System



DESCRIPTION:
2" FIRESHIELD QUICKCLAMP ASSEMBLY

DRAWING #
FSQT0200x30

DATE: 12/19/2023

PROJECTION:

REV. **-.03** SHEET 1 OF 1