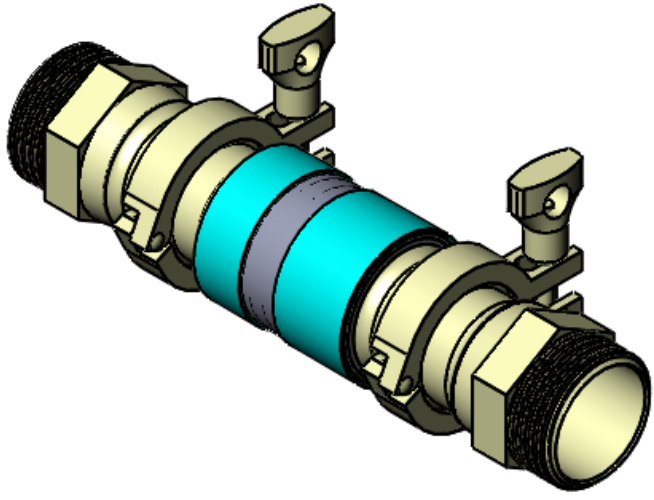
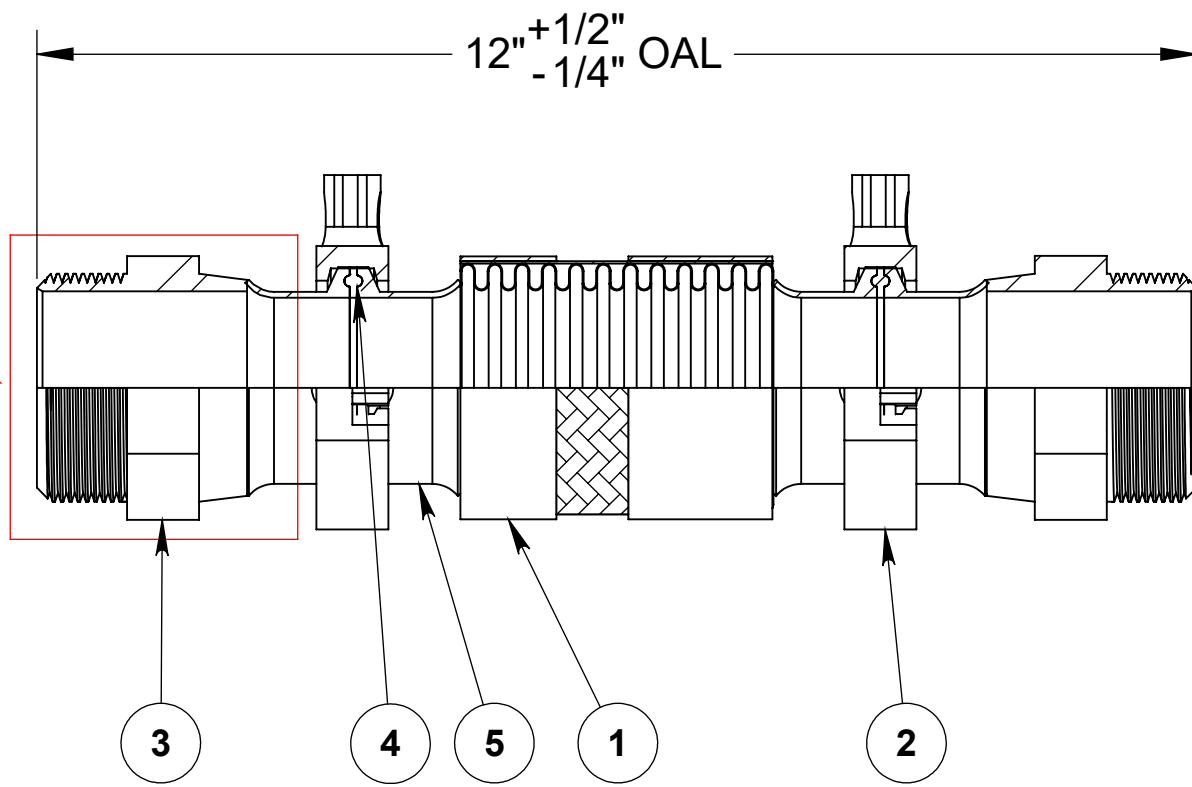


REVISIONS			
REV.	DESCRIPTION	DATE	APPROVED
-		12/6/2023	



Hex male adapter shown represents only one of the various end fittings available. Please refer to catalog for other options.



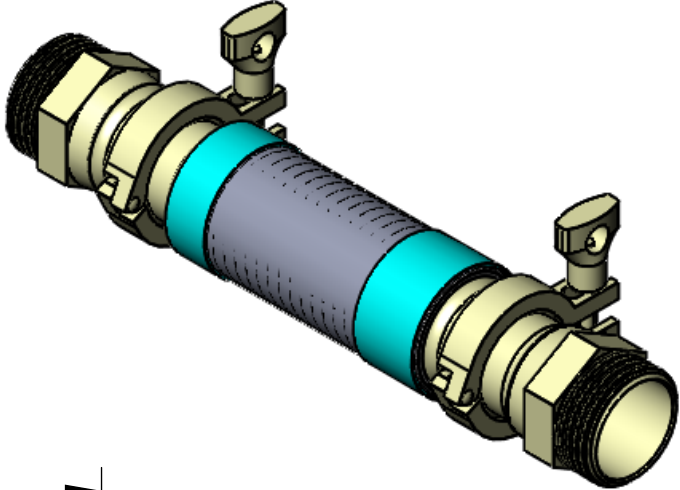
NOTE: UL & cULus APPROVED CONNECTORS

----- COMPONENTS LIST -----

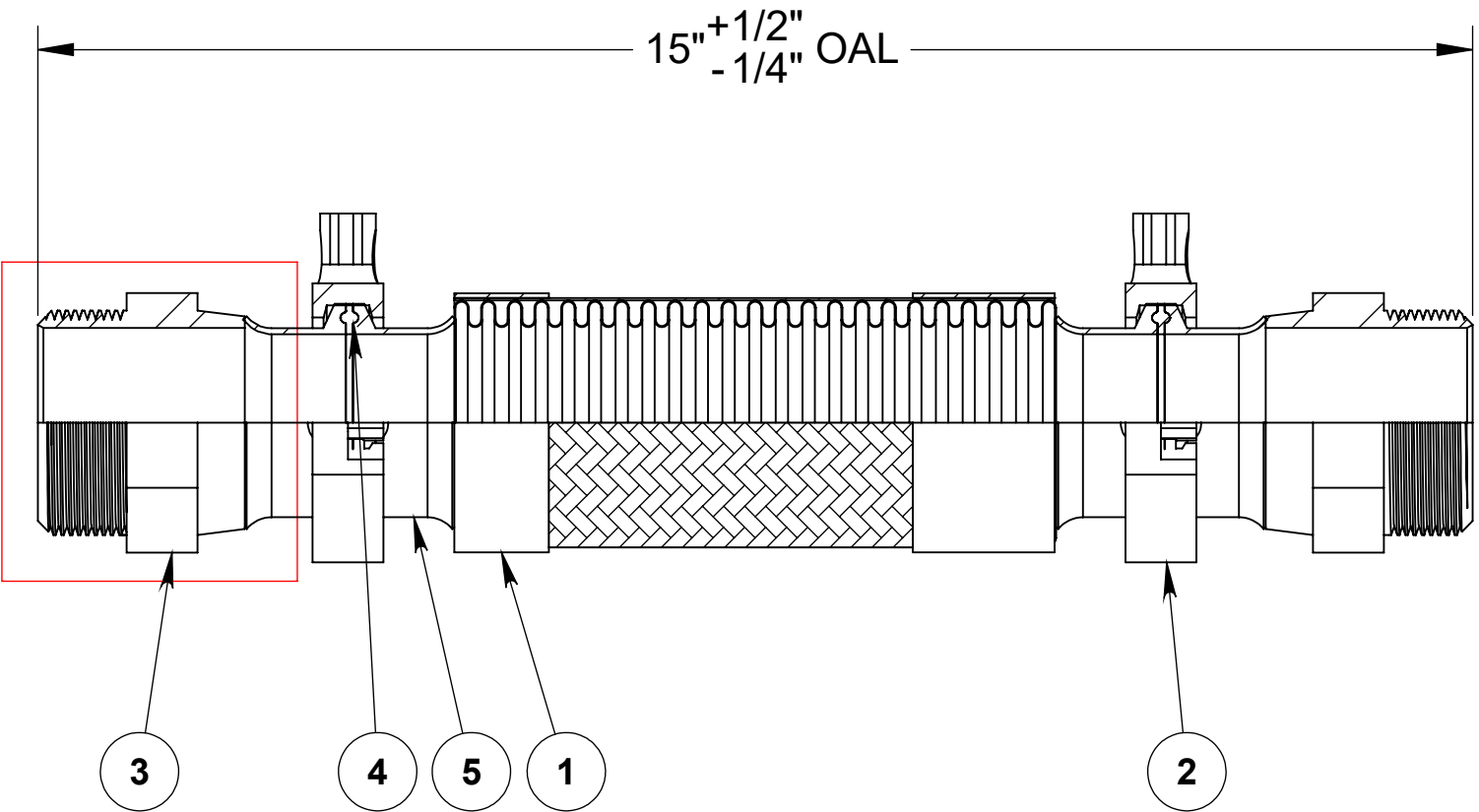
ITEM #	QTY.	DESCRIPTION	MATERIAL
1	1	2" AF4750	300 Series Stainless
2	2	2" Quick Clamp Kit	304
3	2	2" Hex Male Adapter	304
4	2	2" QuickClamp Seal	Viton
5	2	2" Sanitary Flange	304

	HOSE MASTER 1233 East 222nd Street • Cleveland, Ohio 44117 (800) 221-2319 • Fax: (216) 481-7557 • www.hosemaster.com Cleveland • Houston • Atlanta • Reno	ISO 9001 Registered Quality System 
	DESCRIPTION: 2" FIRESHIELD QUICKCLAMP ASSEMBLY	DATE: 12/6/2023 PROJECTION: 
DRAWING # FSQQ0200x12	REV. - SHEET 1 OF 1	

REVISIONS			
REV.	DESCRIPTION	DATE	APPROVED
-		12/6/2023	





Hex male adapter shown represents only one of the various end fittings available. Please refer to catalog for other options.



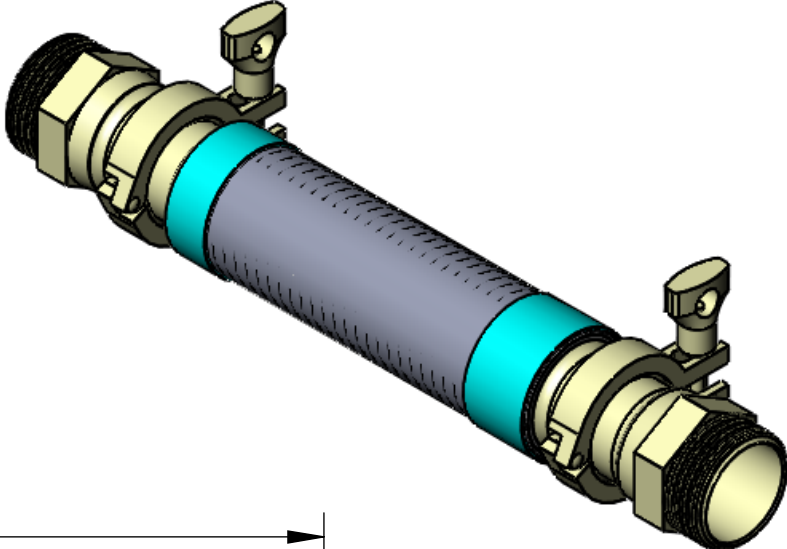
NOTE: UL & cULUS APPROVED CONNECTORS

----- COMPONENTS LIST -----

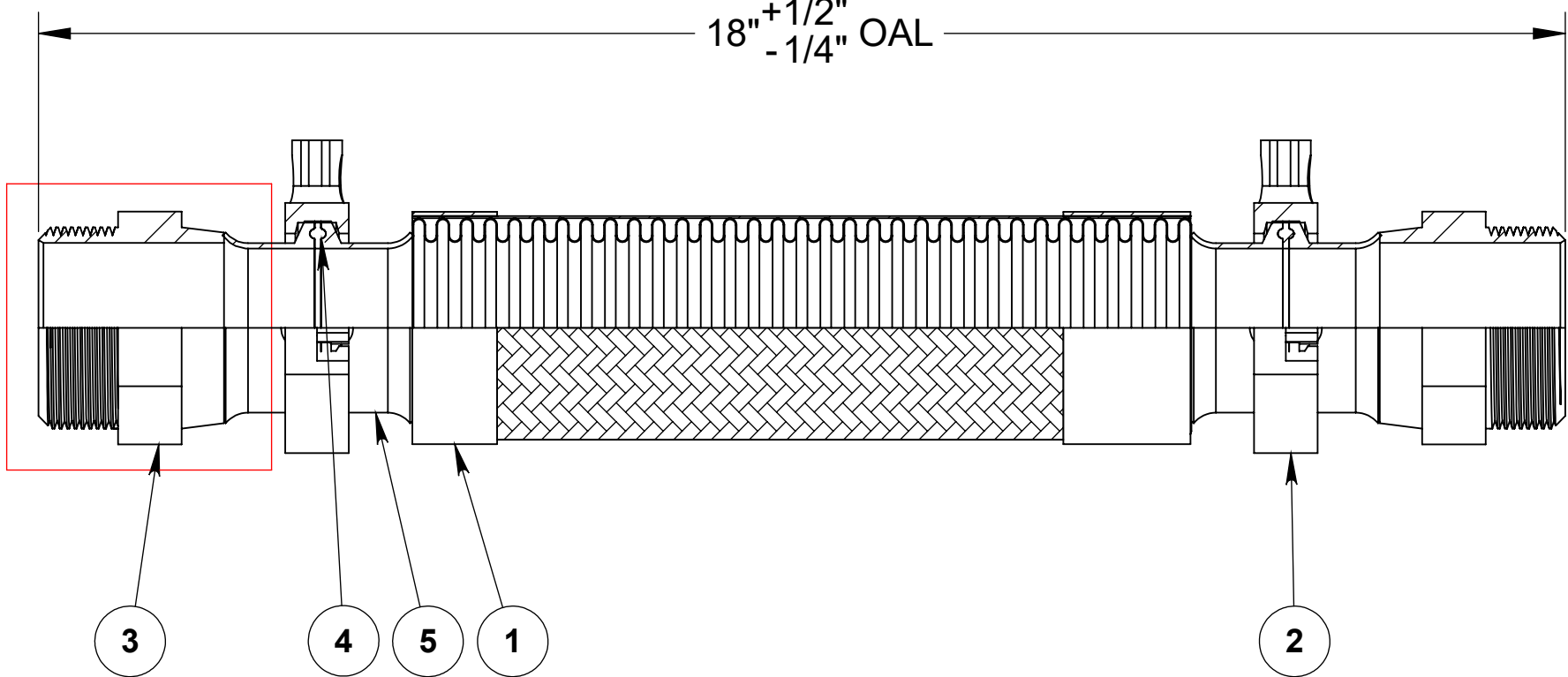
ITEM #	QTY.	DESCRIPTION	MATERIAL
1	1	2" AF4750	300 Series Stainless
2	2	2" Quick Clamp Kit	304
3	2	2" Hex Male Adapter	304
4	2	2" QuickClamp Seal	Viton
5	2	2" Sanitary Flange	304

 <p>HOSE MASTER 1233 East 222nd Street • Cleveland, Ohio 44117 (800) 221-2319 • Fax: (216) 481-7557 • www.hosemaster.com Cleveland • Houston • Atlanta • Reno</p>	<p>ISO 9001 Registered Quality System</p> 
	<p>DATE: 12/6/2023</p> <p>PROJECTION:</p> 
<p>DESCRIPTION:</p> <p>2" FIRESHIELD QUICKCLAMP ASSEMBLY</p> <p>DRAWING #</p> <p>FSQQ0200x15</p>	<p>REV.</p> <p>-</p> <p>SHEET 1 OF 1</p>

REVISIONS			
REV.	DESCRIPTION	DATE	APPROVED
-		12/6/2023	



Hex male adapter shown represents only one of the various end fittings available. Please refer to catalog for other options.



NOTE: UL & cULUS APPROVED CONNECTORS

----- COMPONENTS LIST -----

ITEM #	QTY.	DESCRIPTION	MATERIAL
1	1	2" AF4750	300 Series Stainless
2	2	2" Quick Clamp Kit	304
3	2	2" Hex Male Adapter	304
4	2	2" QuickClamp Seal	Viton
5	2	2" Sanitary Flange	304



HOSE MASTER

1233 East 222nd Street • Cleveland, Ohio 44117
 (800) 221-2319 • Fax: (216) 481-7557 • www.hosemaster.com
 Cleveland • Houston • Atlanta • Reno

ISO 9001
Registered Quality System

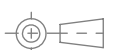


DESCRIPTION:
2" FIRESHIELD QUICKCLAMP ASSEMBLY

DRAWING #
FSQQ0200x18

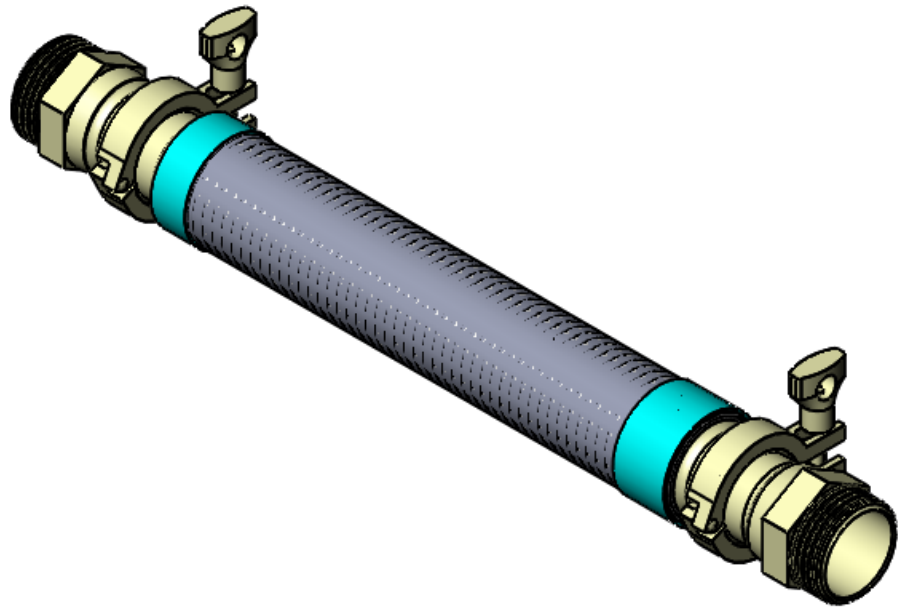
DATE: 12/6/2023

PROJECTION:

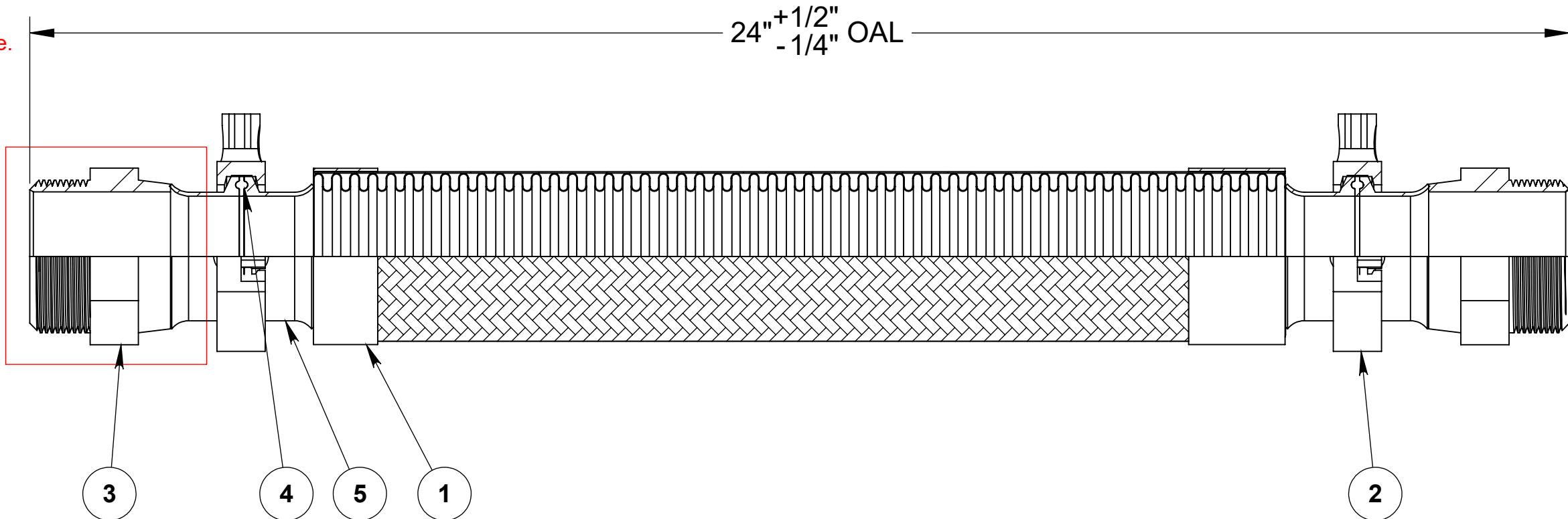


REV. - SHEET 1 OF 1

REVISIONS			
REV.	DESCRIPTION	DATE	APPROVED
-		12/6/2023	






Hex male adapter shown represents only one of the various end fittings available. Please refer to catalog for other options.



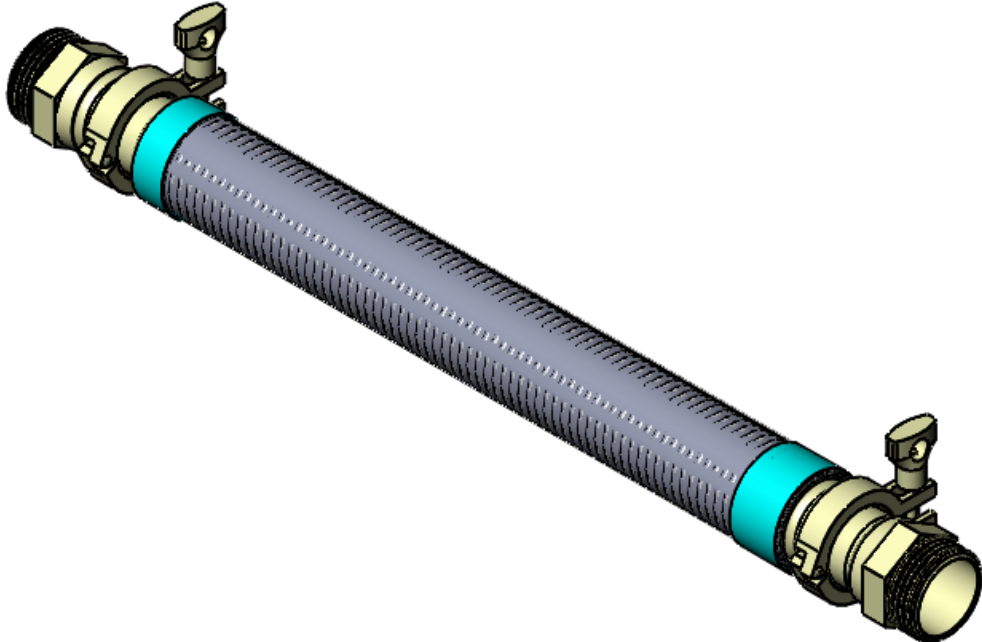
NOTE: UL & cULUS APPROVED CONNECTORS

----- COMPONENTS LIST -----

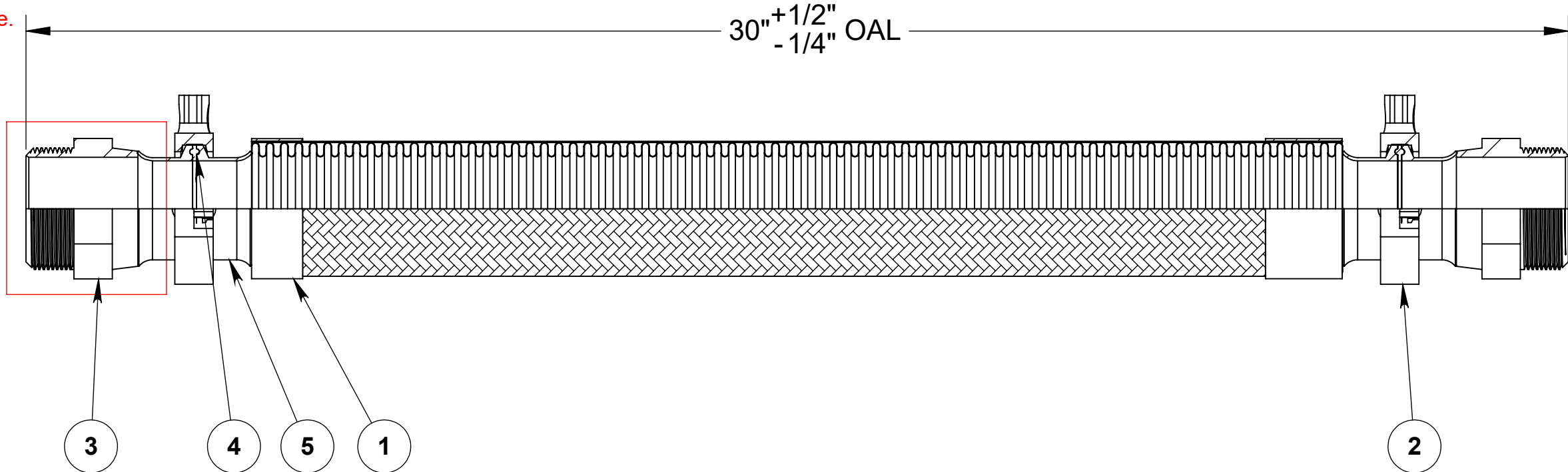
ITEM #	QTY.	DESCRIPTION	MATERIAL
1	1	2" AF4750	300 Series Stainless
2	2	2" Quick Clamp Kit	304
3	2	2" Hex Male Adapter	304
4	2	2" QuickClamp Seal	Viton
5	2	2" Sanitary Flange	304

	HOSE MASTER 1233 East 222nd Street • Cleveland, Ohio 44117 (800) 221-2319 • Fax: (216) 481-7557 • www.hosemaster.com Cleveland • Houston • Atlanta • Reno	ISO 9001 Registered Quality System 
	DESCRIPTION: 2" FIRESHIELD QUICKCLAMP ASSEMBLY	DATE: 12/6/2023 PROJECTION: 
DRAWING # FSQQ0200x24	REV. - SHEET 1 OF 1	

REVISIONS			
REV.	DESCRIPTION	DATE	APPROVED
-		12/6/2023	



Hex male adapter shown represents only one of the various end fittings available. Please refer to catalog for other options.



NOTE: UL & cULUS APPROVED CONNECTORS

----- COMPONENTS LIST -----

ITEM #	QTY.	DESCRIPTION	MATERIAL
1	1	2" AF4750	300 Series Stainless
2	2	2" Quick Clamp Kit	304
3	2	2" Hex Male Adapter	304
4	2	2" QuickClamp Seal	Viton
5	2	2" Sanitary Flange	304



HOSE MASTER

1233 East 222nd Street • Cleveland, Ohio 44117
 (800) 221-2319 • Fax: (216) 481-7557 • www.hosemaster.com
 Cleveland • Houston • Atlanta • Reno

ISO 9001
Registered Quality System



DESCRIPTION:
2" FIRESHIELD QUICKCLAMP ASSEMBLY

DRAWING #
FSQQ0200x30

DATE: 12/6/2023

PROJECTION:

REV. - SHEET 1 OF 1