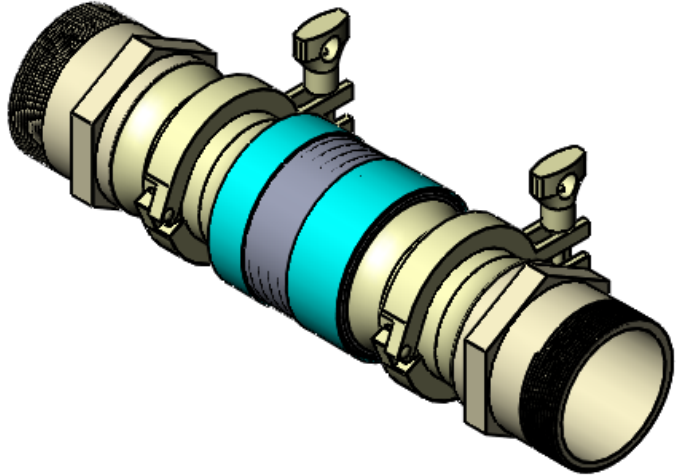
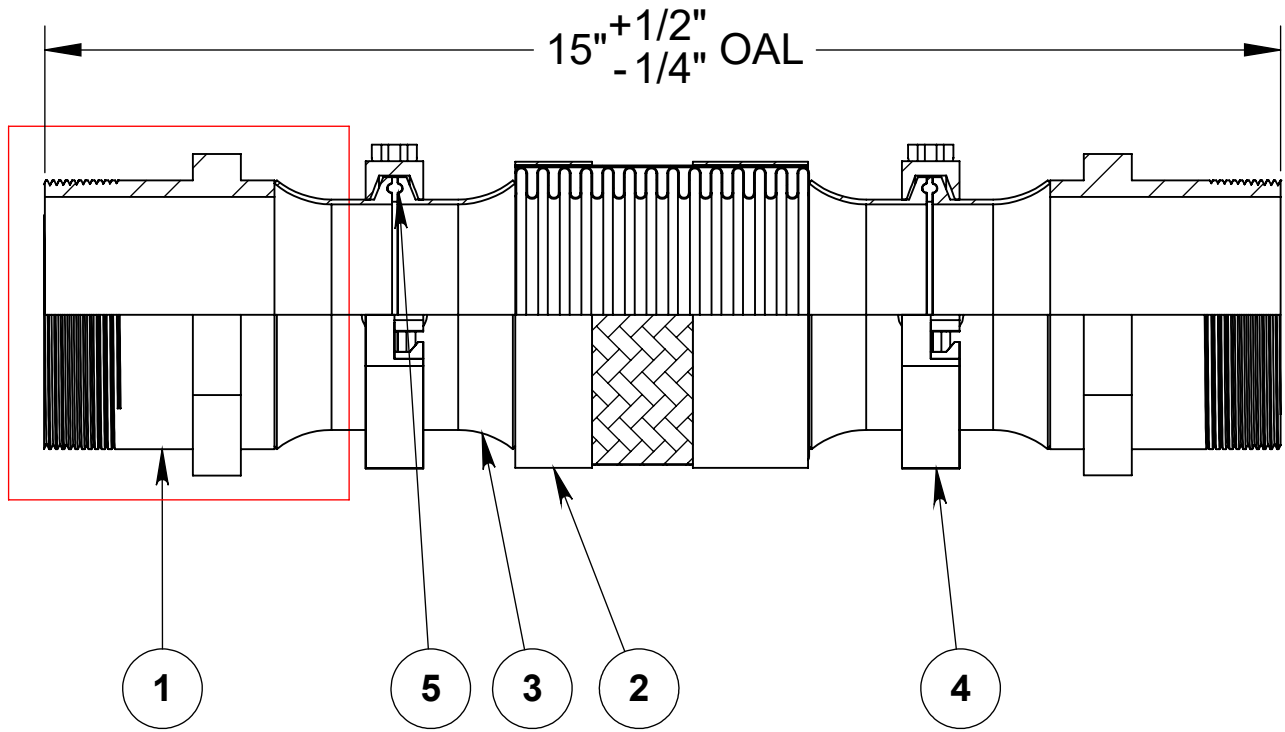


REVISIONS			
REV.	DESCRIPTION	DATE	APPROVED
-		12/11/2023	



Hex male adapter shown represents only one of the various end fittings available. Please refer to catalog for other options.



NOTE: UL & cULus APPROVED CONNECTORS

----- COMPONENTS LIST -----

ITEM #	QTY.	DESCRIPTION	MATERIAL
1	2	3" Hex Male Adapter	304
2	1	3" AF4750	300 Series Stainless
3	2	3" Sanitary Flange	304
4	2	3" Quick Clamp	304
5	2	3" QuickClamp Seal	Viton



HOSE MASTER

1233 East 222nd Street • Cleveland, Ohio 44117
 (800) 221-2319 • Fax: (216) 481-7557 • www.hosemaster.com
 Cleveland • Houston • Atlanta • Reno

ISO 9001
Registered Quality System



DESCRIPTION:
3" FIRESHIELD QUICKCLAMP ASSEMBLY

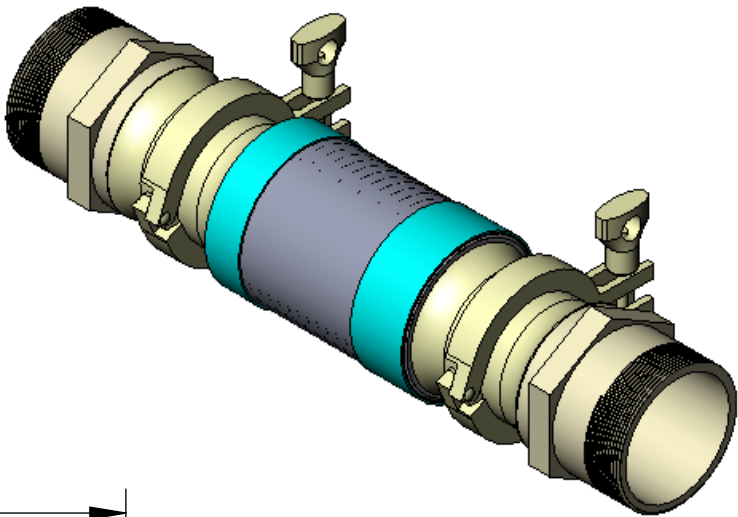
DRAWING #
FSQQ0300x15

DATE: 12/11/2023

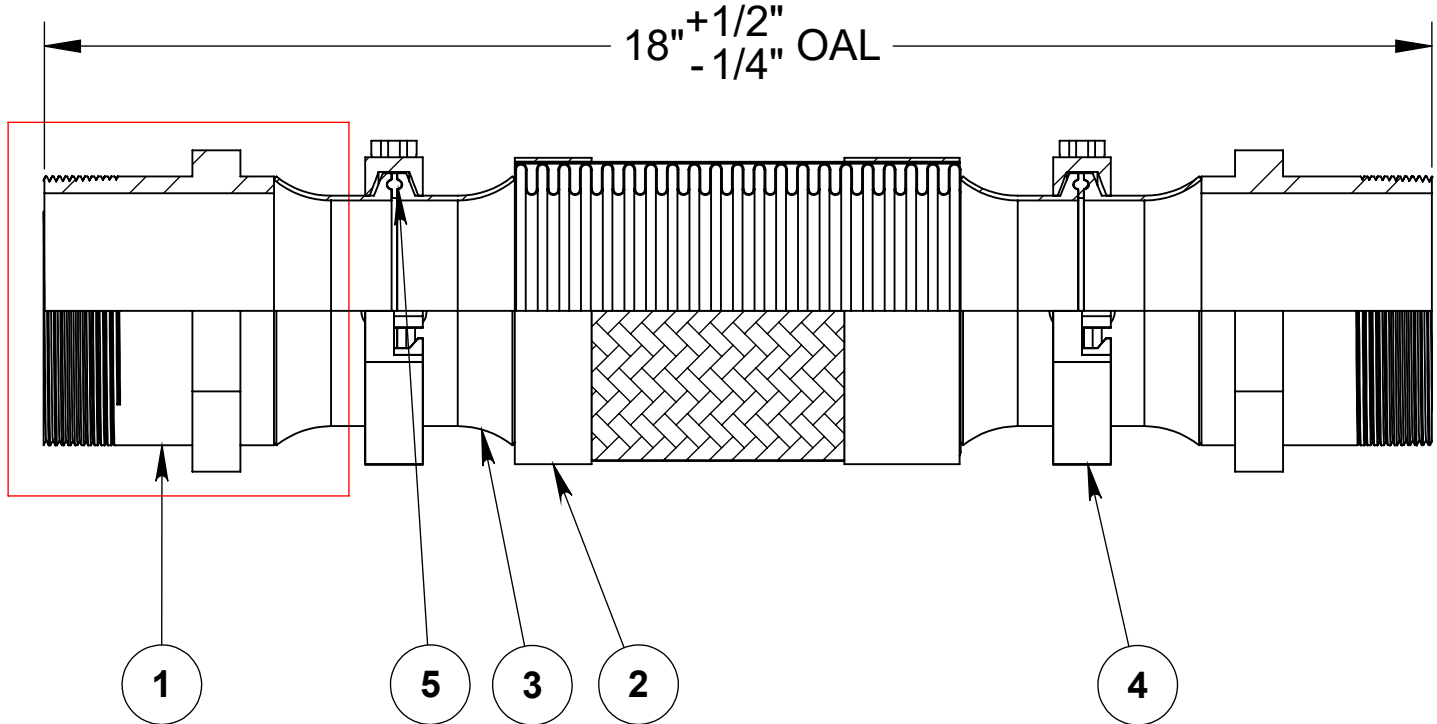
PROJECTION:

REV. - SHEET 1 OF 1

REVISIONS			
REV.	DESCRIPTION	DATE	APPROVED
-		12/11/2023	






Hex male adapter shown represents only one of the various end fittings available. Please refer to catalog for other options.



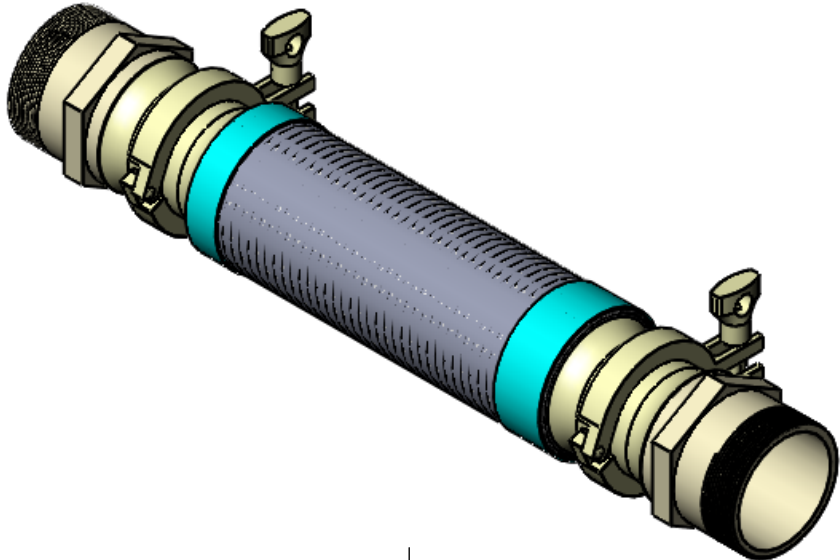
NOTE: UL & cULus APPROVED CONNECTORS

----- COMPONENTS LIST -----

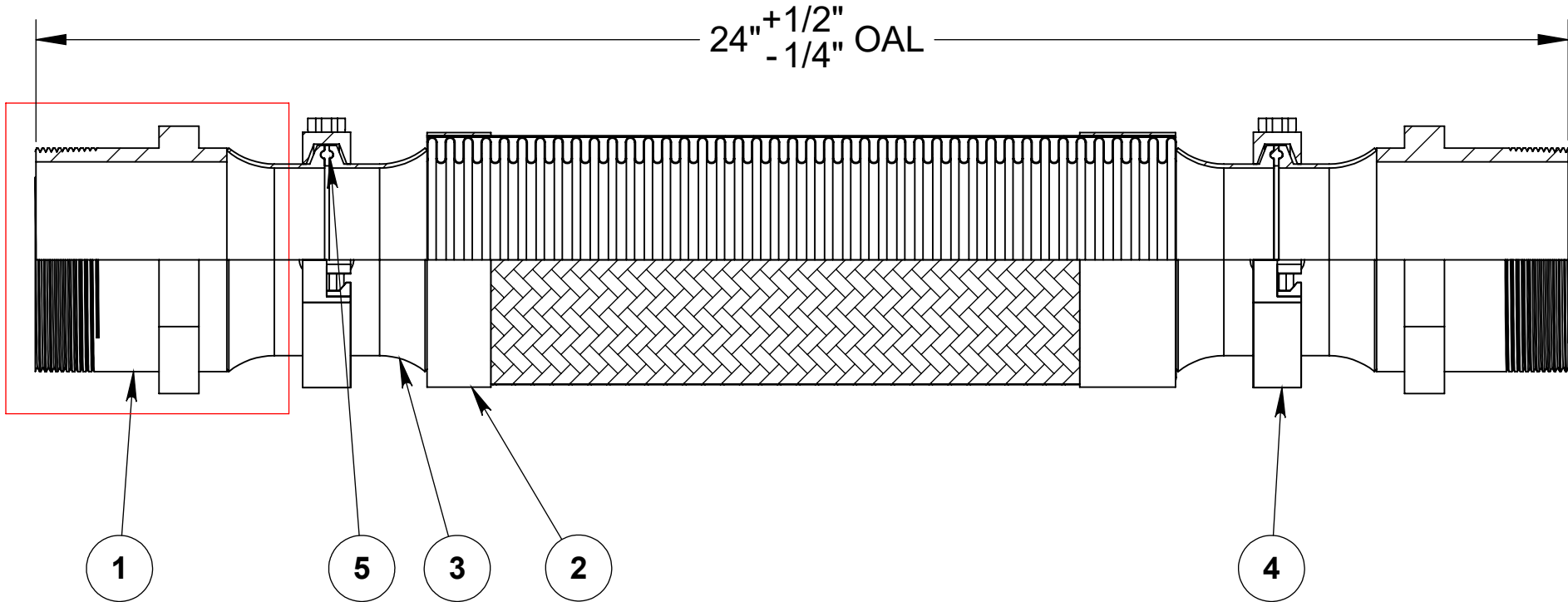
ITEM #	QTY.	DESCRIPTION	MATERIAL
1	2	3" Hex Male Adapter	304
2	1	3" AF4750	300 Series Stainless
3	2	3" Sanitary Flange	304
4	2	3" Quick Clamp	304
5	2	3" QuickClamp Seal	Viton

	HOSE MASTER 1233 East 222nd Street • Cleveland, Ohio 44117 (800) 221-2319 • Fax: (216) 481-7557 • www.hosemaster.com Cleveland • Houston • Atlanta • Reno	ISO 9001 Registered Quality System 
	DESCRIPTION: 3" FIRESHIELD QUICKCLAMP ASSEMBLY	DATE: 12/11/2023 PROJECTION: 
DRAWING # FSQQ0300x18	REV. -.01	SHEET 1 OF 1

REVISIONS			
REV.	DESCRIPTION	DATE	APPROVED
-		12/11/2023	





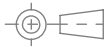
Hex male adapter shown represents only one of the various end fittings available. Please refer to catalog for other options.



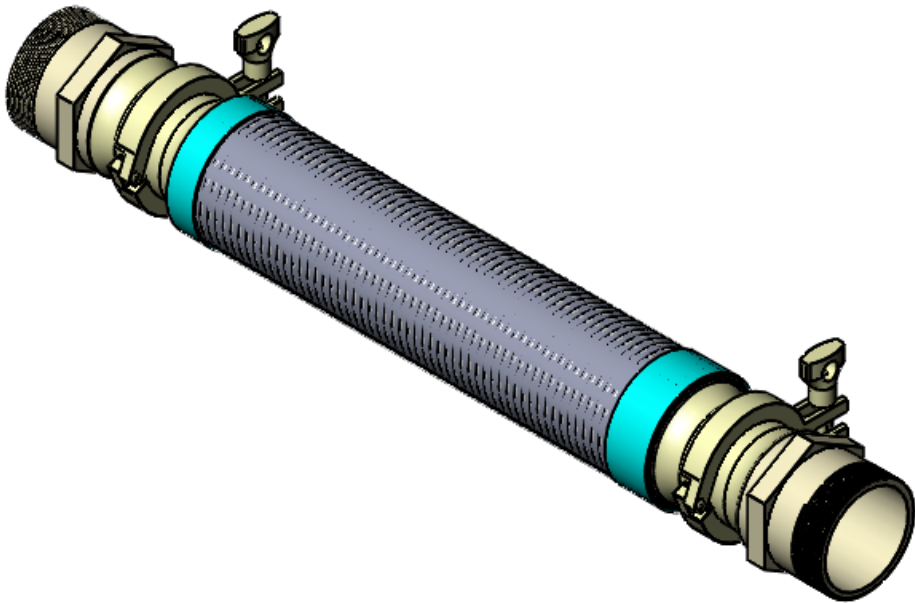
NOTE: UL & cULus APPROVED CONNECTORS

----- COMPONENTS LIST -----

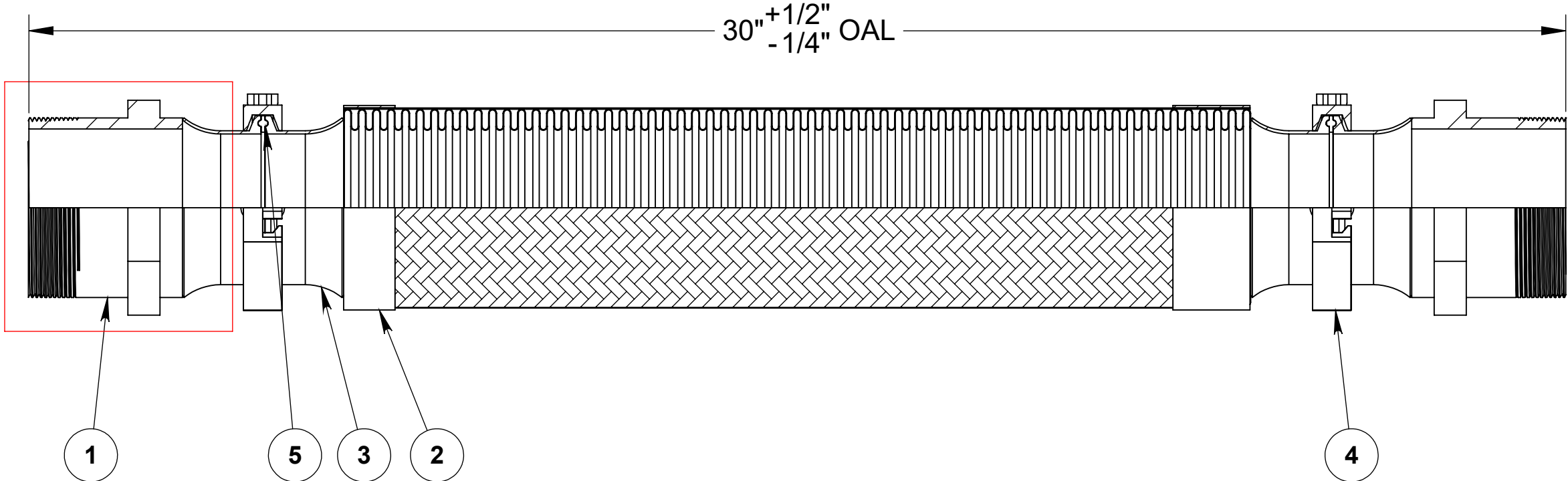
ITEM #	QTY.	DESCRIPTION	MATERIAL
1	2	3" Hex Male Adapter	304
2	1	3" AF4750	300 Series Stainless
3	2	3" Sanitary Flange	304
4	2	3" Quick Clamp	304
5	2	3" QuickClamp Seal	Viton

	HOSE MASTER 1233 East 222nd Street • Cleveland, Ohio 44117 (800) 221-2319 • Fax: (216) 481-7557 • www.hosemaster.com Cleveland • Houston • Atlanta • Reno	ISO 9001 Registered Quality System 
	DESCRIPTION: 3" FIRESHIELD QUICKCLAMP ASSEMBLY	DATE: 12/11/2023 PROJECTION: 
DRAWING # FSQQ0300x24	REV. -	SHEET 1 OF 1

REVISIONS			
REV.	DESCRIPTION	DATE	APPROVED
-		12/11/2023	



Hex male adapter shown represents only one of the various end fittings available. Please refer to catalog for other options.



NOTE: UL & cULus APPROVED CONNECTORS

----- COMPONENTS LIST -----

ITEM #	QTY.	DESCRIPTION	MATERIAL
1	2	3" Hex Male Adapter	304
2	1	3" AF4750	300 Series Stainless
3	2	3" Sanitary Flange	304
4	2	3" Quick Clamp	304
5	2	3" QuickClamp Seal	Viton



HOSE MASTER

1233 East 222nd Street • Cleveland, Ohio 44117
 (800) 221-2319 • Fax: (216) 481-7557 • www.hosemaster.com
 Cleveland • Houston • Atlanta • Reno

ISO 9001
 Registered Quality System



DESCRIPTION:

3" FIRESHIELD QUICKCLAMP ASSEMBLY

DRAWING #

FSQQ0300x30

DATE: 12/11/2023

PROJECTION:



REV.

-

SHEET 1 OF 1